

16GA

Composite Brad Nails

The 16 gauge brads nails are excellent for cabinet and trim applications that require a non-metal fastener for temporary or permanent hold, for instance while the glue sets. They can be sanded, shaped and stained without needing plaster or filler.

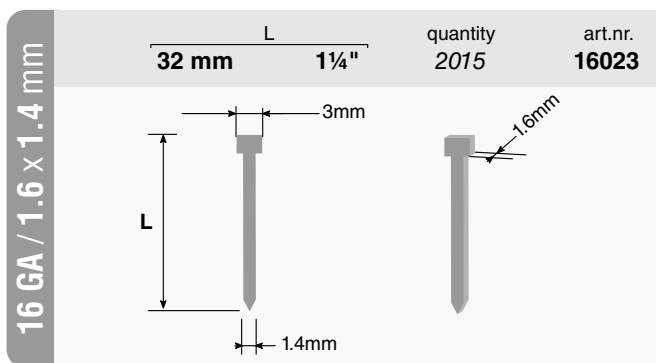
Packaging



Case size: 290 x 230 x 170 mm

boxes/case

32 mm 30



The default colour is white, but other colours can be made on request.

Suitable for

Workman	LT 1664	Makita	AF600
	NT 50		DBN600
Bostitch	FN1650K-2E	Paslode	FN1665.1
	FN 1664		FN1650.1
Bosch	GSK 64		IM65 F16
Max	NF656	DeWalt	DC616KB
Hitachi	NT65M2	Tjep	TF 16/63B
	B16/50L-F1		TF 16/64
			F16/50



Plasa Fastening AB
Verkstadsgratan 16
73338 Sala, Sweden

Tel: +46-(0)224-19191
Email: info@plasafastening.com
Web: www.plasafastening.com

Authorized reseller

